

Please read and save these instructions. Read carefully before attempting to assemble, install, operate or maintain the product described. Protect yourself and others by observing all safety information. Failure to comply with instructions could result in personal injury and/or property damage! Retain instructions for future reference.

Dyna-Glo® Delux Propane Gas-Fired Radiant Heater

Description

Dyna-Glo Delux Model RA125LPDGD heater is a 125,000 BTU/Hr construction heater. This heater uses propane gas for combustion. It is primarily intended for temporary heating of well-ventilated buildings under construction, alteration or repair. This heater should be utilized in sheltered, well-ventilated areas, but never in occupied dwellings.



GHP Group, Inc.
6440 W Howard St
Niles, IL 60714

ANS Z83.7-2011 CSA 2.14-2011 Construction Heater



Figure 1 – Model RA125LPDGD

Specifications

Model	BTU/Hr	Fuel Consumption Maximum	Manifold Pressure	Inlet Gas Supply Pressure	Ignitor Gap	Dimensions L x W x H (in.)
RA125LPDGD	50,000 to 125,000	5.77 lb/h (2.62 kg/h)	11" W.C.	Min. 5 psi Max. Bottle Pressure	0.19" (4.88 mm)	16.3 x 16.3 x 29.8 (41.4 x 41.4 x 75.7 cm)

Fuel Type – Propane Only

Ignition Type – Piezo

Minimum Operating Temp. – -20°F (-29°C)

Unpacking

1. Remove heater, accessories and all hardware from the shipping carton.

NOTE: Save the box and packaging materials for future use. After unpacking unit, inspect carefully for any damage that may have occurred during transit. Check for loose, missing or damaged parts. Shipping damage claim must be filed with carrier.

General Safety Information

Make sure you read and thoroughly understand these safety and operating instructions. Keep these instructions for future reference. They are your guides to safe and proper operation of this heater.

Safety information appears throughout this manual. Pay close attention to them. Below are definitions for the safety information listed throughout this manual.

▲ DANGER Indicates an imminently hazardous situation which, if not avoided, WILL result in death or serious injury.

▲ WARNING Indicates a potentially hazardous situation which, if not avoided, COULD result in death or serious injury.

▲ CAUTION Indicates a potentially hazardous situation which, if not avoided, MAY result in minor or moderate injury.

▲ WARNING Always turn off heater at control knob and then close LP cylinder when not in use.

▲ WARNING Do not operate this heater until you have read, and thoroughly understand these safety and operating instructions. Failure to comply with the precautions and instructions provided with this heater can result in death, serious bodily injury, property loss or damage from the hazards of fire, explosion, burns, or electrical shock. Only persons who can read and understand these instructions should use or service this heater. Not for residential, household or recreational vehicle use. Please read this manual.

Consumer: Retain this manual for future reference.

Dyna-Glo® Delux Propane Gas-Fired Radiant Heater

NEVER LEAVE THE HEATER UNATTENDED WHILE BURNING!

General Safety Information (Continued)

▲ WARNING GENERAL HAZARD WARNING: Failure to comply with the precautions and instructions provided with this heater, can result in death, serious bodily injury and property loss or damage from hazards of fire, explosion, burn, asphyxiation, carbon monoxide poisoning, and / or electrical shock. Only persons who can understand and follow the instructions should use or service this heater.

▲ WARNING FIRE, BURN, INHALATION, AND EXPLOSION HAZARD: Keep solid combustibles, such as building materials, paper, or cardboard, a safe distance away from the heater as recommended by the instructions. Never use the heater in spaces which do or may contain volatile or airborne combustibles, or products such as gasoline, solvents, paint thinner, dust particles or unknown chemicals.

▲ WARNING For outdoor and indoor use with proper ventilation. Not for home or recreational vehicle use.

1. This heater has been designed as a construction heater in accordance with ANS Z83.7 CSA 2.14. Other standards govern the use of fuel, gases and heating products for specific uses. Your local authority can inform you of these. The primary purpose of these construction heaters are to provide temporary heating of buildings under construction, alteration, or repair. When properly used, the heater provides safe economical heating. Products of combustion are vented into the heated area.
2. Keep solid combustibles, such as building materials, paper or cardboard a safe distance away from the heater

as recommended by the instructions in this manual (at least 6 feet away from sides and 5 feet from top of heater).

▲ CAUTION Never use the heater in spaces which do or may contain volatile or airborne combustibles or products such as gasoline, solvents, paint thinner, dust particles, or unknown chemicals.

3. This heater is hot when in use. To avoid burns, do not let bare skin touch hot surfaces. Do not move heater when in use OR for at least 35 minutes after using.
4. Keep combustible materials, such as furniture, pillow, bedding, papers, clothes and curtains at least 6 feet away from sides and 5 feet from top of this heater.

▲ DANGER Carbon Monoxide poisoning may lead to death! Some people are more affected by carbon monoxide than others. Early signs of carbon monoxide poisoning resemble the flu, with headaches, dizziness, and/or nausea. If you have these signs, the heater may not be operating properly or the area may not be sufficiently ventilated. Get fresh air at once! Have heater serviced.

5. Do not operate any heater with a damaged regulator or after the heater malfunctions, or has been dropped or damaged in any manner. Return heater to an authorized service facility for examination, or mechanical adjustment, or repair.
6. This heater should be utilized in sheltered, well-ventilated areas, but never in occupied dwellings, in living areas or sleeping areas.
7. Do not use this heater in a residential or household area. If stored indoors, detach and leave the LP cylinder outdoors.

8. Never replace the regulator with any regulator other than the factory suggested replacement.

9. Do not insert or allow any foreign objects to enter any ventilation or exhaust opening as this may cause a fire, or damage to the heater.

▲ WARNING Carefully install and always use great care when operating this heater. Be sure to research and follow all local ordinances and codes. In the absence of local codes, with the Standard for the Storage and Handling of Liquefied Petroleum Gases, ANSI/NFPA 58 and the Natural Gas and Propane Installation Code, CSA B149.1. The heater is designed and approved for use as a construction heater in accordance with Standard CSA 2.14b, ANS Z83.7b.

CHECK WITH YOUR LOCAL FIRE SAFETY AUTHORITY IF YOU HAVE QUESTIONS ABOUT APPLICATIONS. Other standards govern the use of fuel gases and heat producing products in specific applications. Your local authority can advise you about these.

California Proposition 65 Warning: Fuels used in gas or oil fired appliances and the products of combustion of such fuels, contain chemicals known to the State of California to cause cancer, birth defects or other reproductive harm. This product contains chemicals, including lead and lead compounds, known to the state of California to cause cancer, birth defects or other reproductive harm. Wash hands after handling.

▲ CAUTION Never let children operate or allowed near any heater. Never leave heater operating and unattended.

10. Use this heater only as described in this manual. Any other use not recommended by the manufacturer may cause a fire or injury to persons.

Model RA125LPDGD

NEVER LEAVE THE HEATER UNATTENDED WHILE BURNING!

General Safety Information (Continued)

11. Provide adequate ventilation. Before using heater, provide at least a 3.0 square foot (.28 m²) opening of fresh, outside air for every 100,000 BTU/Hr rating.
12. Do not modify or alter this heater in any way or operate any heater that has been modified from its original state.
13. It is hard to anticipate every use which may be made of the heater. Check with your local fire safety authority if you have any questions about heater application.
14. Be sure heater is on a solid and level surface.

Propane Gas: Propane gas is odorless. An odor-making agent is added to propane gas. The odor helps you detect a propane gas leak. However, this odor may fade in time. Propane gas may be present in the area even though no odor is detected.

15. Use only propane gas. Do not attempt to use natural gas.
16. Keep appliance clear and free from combustible materials, gasoline, paint thinner, and other flammable vapors and liquids. Dust is combustible. Do not use heaters in areas with high dust content.
17. Check heater for damage before each use. Do not use damaged heater.

Minimum heater clearance from combustibles:

Sides: 6 feet (1.8 m) Top: 5 feet (1.5 m) Floor: Combustible - Not for use on finished floors

18. The heater, other than a heater with an integral propane gas cylinder, must be located at least (i) 6 ft. (1.83 m) in the U.S.; or (ii) 10 ft. (3 m) in Canada, from any propane gas cylinder.
19. The propane cylinder supply system must be arranged to provide for vapor withdrawal from the operating cylinder.
20. Blower or radiant type heaters shall not be directed toward any propane gas cylinder within 20 feet (6 m).

21. Check hose before each use of heater. Do not use if hose is cut or damaged. Replace with hose specified by manufacturer.
22. The heater is not intended for use on finished floors. Warping or other damage may occur.
23. Place heater away from any breezes or drafts. Keep away from dripping water or rain.
24. Keep small children and animals away from the heater.
25. Always wear gloves when handling the heater to prevent injury.
26. Never attach ductwork to heater.
27. Use only original replacement parts. This heater must use design specific parts. Do not substitute or use generic parts. Improper replacement parts could cause serious or fatal injury.

Assembly

1. Provide propane gas supply only.
2. Connect heater to a proper gas supply using the supplied regulator, and turn knob on LP cylinder on.
3. Wait 5 minutes for any gas to clear. Smell for gas; if you do not smell gas, heater is ready to operate.

▲ WARNING *Never use an open flame to check for a leak. Apply 50/50 mixture of liquid soap and water to all joints. Bubbles forming show a leak. Correct all leaks at once.*

SIZE AND CAPACITY OF PROPANE GAS CYLINDERS

Temperature at Tank		No. of Tanks Needed	
°F	°C	50,000 BTU/Hr	100,000 BTU/Hr
32	0	1	2
20	-6.67	1	2
10	-12.22	1	3
0	-17.78	1	3
-10	-23.33	2	Use Larger Tank
-20	-28.89	2	Use Larger Tank

NOTE: Chart above shows number of 100 pound tanks needed to operate this heater at a given temperature.

Less gas is vaporized at lower temperatures. You may need two or more 100 pound (45.36 kg) tanks, or one larger tank in colder weather. Your local propane gas dealer will help you select the proper supply system.

Operation

This heater should only be used with a tank that has a vapor withdrawal system. Refer to the Standard of Storage and Handling of Liquefied Petroleum Gas, ANSI/NFPA 58, Chapter 5. Your local fire department or library will have this information.

TO START HEATER

1. Follow all of the safety, ventilation and installation instructions previously noted in this manual.
2. Always be sure to place the heater on a stable and level surface while the heater is in operation. Be sure that no strong winds blow into the ends of the heater.

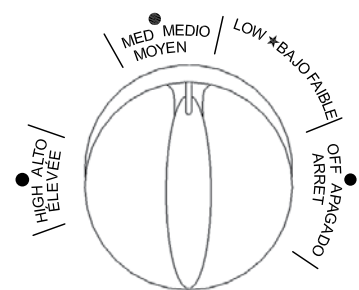



Figure 2 – Control Knob

- position.
4. Turn LP gas supply valve on.
 5. Depress heater control knob and turn COUNTERCLOCKWISE to (IGN) LOW position to light burner.

Dyna-Glo® Delux Propane Gas-Fired Radiant Heater


NEVER LEAVE THE HEATER UNATTENDED WHILE BURNING!


Operation (Continued)

6. If burner does not light, turn heater control knob to OFF position and repeat step 5. Keep control knob depressed for approximately 10 to 15 seconds, then release control knob.
7. If burner flame goes out, wait 5 minutes then repeat steps 5 and 6.
8. With burner operating, the control knob may be turned COUNTERCLOCKWISE  to desired heating level between LOW, MED, and HIGH.

TO CONNECT OR DISCONNECT PROPANE TANK

Turn heater gas valve knob and gas tank valve to OFF position.

To connect gas line fitting to propane tank valve, turn fitting COUNTERCLOCKWISE .

To disconnect, turn fitting CLOCKWISE . Protect this fitting when disconnected from tank.

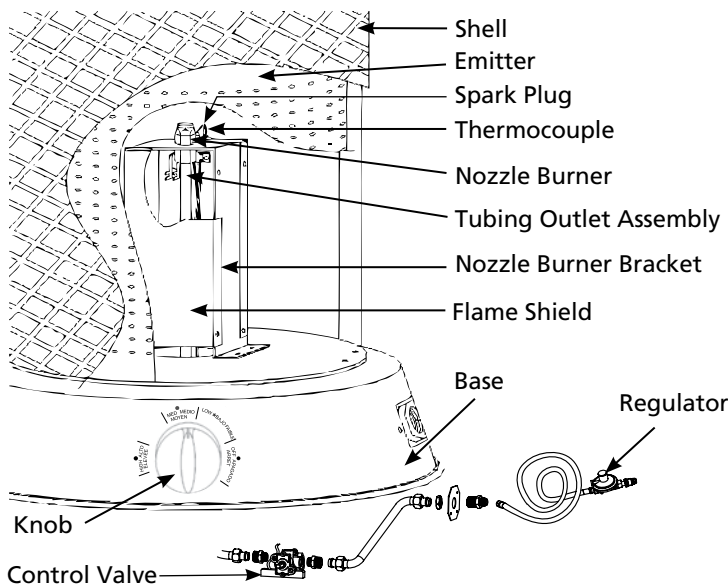


Figure 3 – RA125LPDGD Part Identification

LEAK CHECKING

1. With heater gas valve knob still in OFF position, turn ON tank valve and check for leaks with soap solution. Check all connections with a 50/50 soap and water solution to be sure they are tight and leak proof. Never use a flame to check for gas leaks.
2. The installation of your heater must meet all local codes and/or gas utility requirements, or in the absence of local codes, with the National Fuel Code ANSI Z223.1.

TO SHUT DOWN HEATER

1. Firmly close the propane gas supply valve.
2. Shut off the main burner valve, being sure to wear a glove for protection. Turn the main burner handle all the way to the OFF position.

TO RESTART HEATER

1. Wait five minutes for heater to cool.
2. Follow steps in TO START HEATER section.

▲ WARNING Running heater below specified gas pressure may cause flashback. During flashback, the burner flame is mostly yellow. The flame will burn inside the burner tube causing a roaring noise. If flashback occurs, turn heater off. After burner tube cools off, restart heater.

VENTILATION

▲ WARNING A three square foot (.28 m²) opening of fresh outside air for each 100,000 BTU / Hr of heater output must be provided to operate each heater safely. If the proper ventilation air is not provided, carbon monoxide poisoning can occur. Always be sure that the proper ventilation is being provided before starting this heater.

FRESH OUTSIDE AIR OPENING REQUIREMENTS

Heater size	Opening
125,000 BTU	3.5 ft ² (.33 m ²)

▲ WARNING Read and understand all of the warnings in the General Safety Information pages of this manual. They are essential to the safe operation of this heater. Be sure to follow all local codes when operating this heater.

▲ WARNING Be sure to leak test all fittings and pipe connections after installation or repairs. Use a 50/50 mixture of liquid dish soap and water. Bubbles forming reveal a leak. You must repair all leaks at once!

Maintenance

▲ WARNING Never attempt to service heater while it is connected to propane supply, operating or hot. Severe burns can occur.

1. Always keep heater clean. The flow of combustion and ventilation air cannot be obstructed.

Model RA125LPDGD

NEVER LEAVE THE HEATER UNATTENDED WHILE BURNING!

Maintenance (Continued)

2. Inspect heater before each use. Check connections for leaks. Apply a 50/50 solution of dish soap and water. Bubbles forming show a leak that must be corrected. Correct leaks at once.
3. Inspect regular hose assembly before each use. If hose is highly worn or cut, replace with hose specified by manufacturer.
4. Keep appliance area clear and free from combustible materials, gasoline, and other flammable vapors and liquids.

5. Have heater inspected yearly by a qualified service person.
6. Installation must conform with local codes or, in the absence of local codes, with the Standard for the Storage and Handling of Liquefied Petroleum Gases, ANSI/NFPA 58 and the Natural Gas and Propane Installation Code, CSA B149.1.

STORAGE



supply.

1. The heater is to be stored indoors. The connection between the propane supply cylinder(s) and the heater must

Disconnect heater from propane gas

be disconnected and the cylinders removed from the heater and stored in accordance with Standard for the Storage and Handling of Liquefied Petroleum Gases, ANSI/NFPA 58 and CSA B149.1, Natural Gas and Propane Installation Code.

2. Place plastic cover over brass fitting on inlet connector.
3. Store in a dry, clean, safe place.
4. When taking the heater out of storage, always check inside the heater. Small animals or insects may place foreign objects in the heater. Keep heater free from foreign objects and combustible materials.

Troubleshooting Chart

Symptom	Possible Cause(s)	Corrective Action
Burner fails to light	1. More warm-up time needed	1. Relight, holding control valve button in for 45 seconds
	2. Gas pressure is low	2. Inspect propane gas supply
	3. Thermocouple loose or in need of replacement	3. Tighten, reconnect or replace thermocouple
	4. Automatic control valve in need of replacement	4. Replace automatic control valve
Burner lights but goes out when automatic control valve button is released	1. Main burner valve not completely open	1. Completely open main burner valve by turning control knob to HIGH position
	2. Clogged gas orifice	2. Replace gas orifice
	3. Low gas pressure	3. Check gas supply, regulator function
	4. Low gas supply	4. Consult gas supplier or replace tank
Burn rate is low, emitter does not glow	1. Main burner valve not fully open	1. Fully open main burner valve by turning control knob towards HIGH position until it stops
	2. Plugged gas orifices	2. Replace gas orifice
	3. Low gas pressure	3. Check gas supply, regulator output
	4. Low fuel supply	4. Consult gas supplier or replace tank
Flames are extremely low and coming from emitter	Unit has been connected to a natural gas supply instead of propane gas	Check gas source and replace with propane gas supply

For Technical Support or Troubleshooting, Call: 1-877-447-4768, 8:30 am - 4:30 pm CST

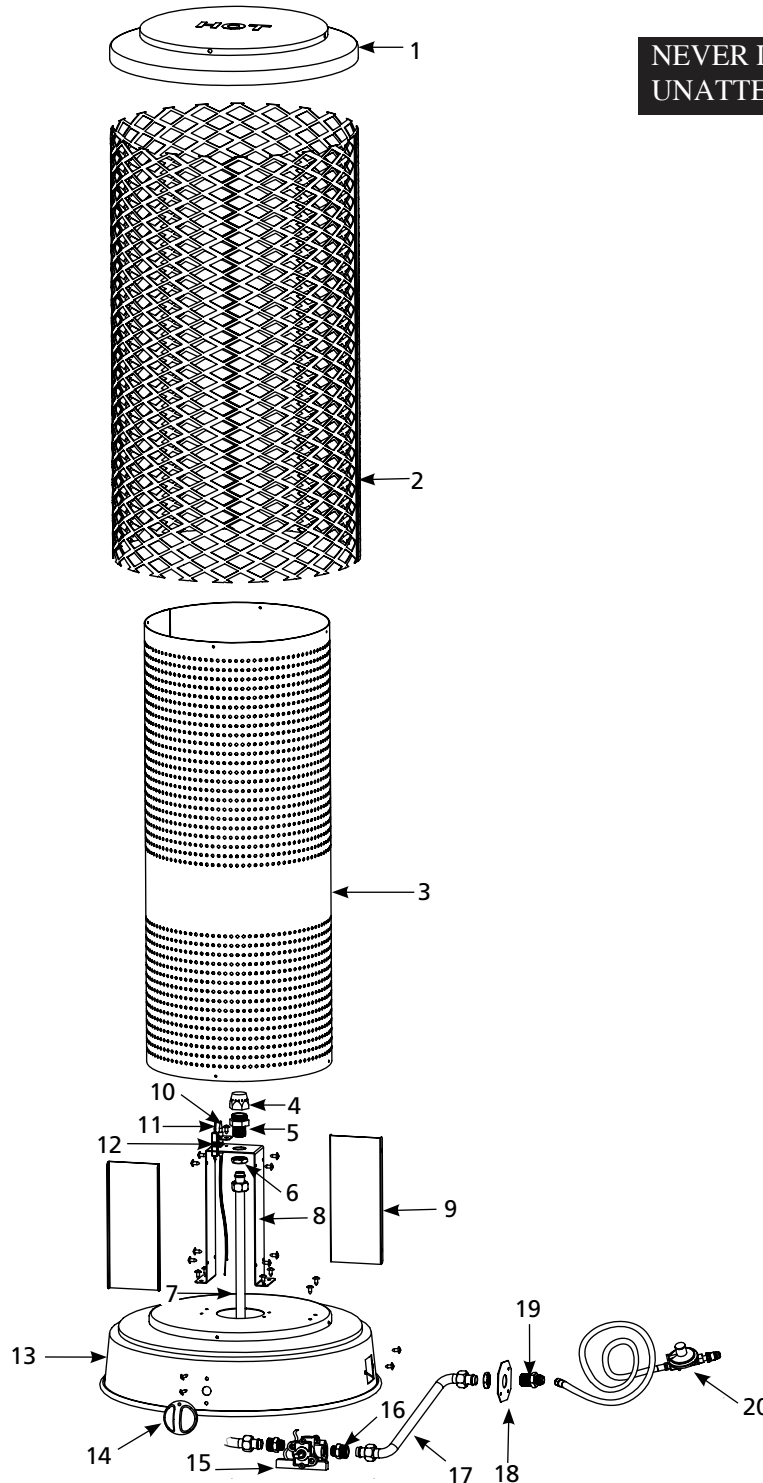
www.ghpgroupinc.com



For Repair Parts, call 1-877-447-4768

Please provide following information:

- Model number
- Serial number (if any)
- Part description and number as shown in parts list



NEVER LEAVE THE HEATER UNATTENDED WHILE BURNING!

Figure 4 – Repair Parts Illustration for Propane Gas-Fired Radiant Heater

Model RA125LPDGD

▲WARNING *Use only original replacement parts. This Heater must use design-specific parts. Do not substitute or use generic parts. Improper replacement parts could cause serious or fatal injuries.*

NEVER LEAVE THE HEATER UNATTENDED WHILE BURNING!

Repair Parts List for Propane Gas-Fired Radiant Heater

Reference Number	Description	Part Number for Model: RA125LPDGD	Quantity
1	Top Cover	5002854	1
2	Guard	2315528	1
3	Emitter	2315519	1
4	Nozzle	2315522	1
5	Nozzle Connector	2315545	1
6	Nozzle Nut	2315546	1
7	Main Gas Tubing Assy (LPG)	2315640	1
8	Nozzle Bracket	2315517	1
9	Flame Shield	2315642	2
10	Thermocouple	2201584	1
11	Spark Plug	2201583	1
12	Thermocouple Holder	2315520	1
13	Base	5002851	1
14	Control Knob	2101451	1
15	Control Valve	GS22-9B	1
16	Fitting	2304948	2
17	Tubing Inlet Assy (LPG)	2315525	1
18	Connector Bracket	2315526	1
19	LPG Inlet Connector	2315527	1
	Regulator/Hose Assembly	GR109-10-38	
20	10 ft (3 m)		1
	Regulator/Hose Assembly	GR109-15-38	
	15 ft (4.6 m)		

LIMITED WARRANTY:

This limited warranty is extended to the original retail purchaser of this Forced Air/Convection/Radiant Heater and warrants against any defect in materials and workmanship for a period of one (1) year from the date of retail sale. GHP Group, Inc., at it's option, will either provide replacement parts or replace or repair the unit, when properly returned to the retailer where purchased or one of our service centers as directed by GHP Group, Inc., within one (1) year of retail purchase. (Shipping costs, labour costs, etc. are the responsibility of the purchaser.)

DUTIES OF THE OWNER:

This heating appliance must be operated in accordance with the written instructions furnished with this heater. This warranty shall not excuse the owner from properly maintaining this heater in accordance with the written instructions furnished with this heater. A bill of sale, canceled check or payment record must be kept to verify purchase date and establish warranty period. Original carton should be kept in case of warranty return of unit.

WHAT IS NOT COVERED:

1. Damage resulting from use of improper fuel.
2. Damage caused by misuse or use contrary to the owners manual and safety guidelines.
3. Damage caused by a lack of normal maintenance.
4. Fuses
5. Use of non-standard parts or accessories.
6. Damage caused in transit. Freight charges on warranty parts or heaters to and from the factory shall be the responsibility of the owner.

This warranty does not imply or assume any responsibility for consequential damages that may result from the use, misuse, or the lack of routine maintenance of this heating appliance. A cleaning fee and the cost of parts may be charged for appliance failures resulting from lack of maintenance. This warranty does not cover claims which do not involve defective workmanship or materials. **FAILURE TO PERFORM GENERAL MAINTENANCE (INCLUDING CLEANING) WILL VOID THIS WARRANTY.**

THIS LIMITED WARRANTY IS GIVEN TO THE PURCHASER IN LIEU OF ALL OTHER WARRANTIES, EXPRESSED OR IMPLIED, INCLUDING BUT NOT LIMITED TO THE WARRANTIES OF MERCHANTABILITY OF FITNESS FOR A PARTICULAR PURPOSE. THE REMEDY PROVIDED IN THIS WARRANTY IS EXCLUSIVE AND IS GRANTED IN LIEU OF ALL OTHER REMEDIES. IN NO EVENT WILL GHP GROUP, INC. BE LIABLE FOR INCIDENTAL OR CONSEQUENTIAL DAMAGES.

Some states do not allow limitations on how long an implied warranty lasts, so the above limitation may not apply to you. Some states do not allow the exclusion or limitation of incidental or consequential damages so the above limitation or exclusion may not apply to you.

CLAIMS HANDLED AS FOLLOWS:

1. Contact your retailer and explain the problem.
2. If the retailer is unable to resolve the problem, contact our Customer Service Dept. detailing the heater model, the problem, and proof of date of purchase.
3. A representative will contact you. DO NOT RETURN THE HEATER TO GHP GROUP, INC. unless instructed by our Representative. This warranty gives you specific legal rights and you may also have other rights which vary from state to state.

TO REGISTER THE WARRANTY ON YOUR HEATER, PLEASE FILL OUT THIS CARD COMPLETELY AND MAIL WITHIN 14 DAYS FROM DATE OF PURCHASE OR REGISTER ON-LINE AT www.ghpgroupinc.com

NAME: _____ PHONE: () _____ EMAIL: _____
 ADDRESS: _____ CITY: _____ STATE: _____ ZIP: _____
 MODEL: _____ SERIAL #: _____ DATE PURCHASED: _____
 DEALER PURCHASED FROM: _____ TYPE OF STORE: _____
 CITY & STATE WHERE PURCHASED: _____ PRICE PAID: _____

Please Take a Minute To Give Us Your Answers To The Following Questions.

All Responses Are Used Solely For Market Research And Are Held In Strict Confidence.

Who primarily decided this purchase? Male Female 18-24 25-39 40-59 60 and over
 Purpose of Purchase? _____
 Do you own any other portable heaters? Yes No If yes, type _____ brand _____
 How do you intend to use your new heater? Construction Site Farm Warehouse/Commercial Garage/Outbuilding Other
 How did you become aware of this heater? In-Store Display Newspaper Ad Magazine Ad Friend/Relative
 TV Commercial Store Salesperson Other _____
 What made you select this heater? Style Size/Portability Price Package Brand Other _____
 Do you: own rent Would you recommend this heater to a friend? Yes No
 Please give us your comments: _____

THANK YOU FOR COMPLETING THIS FORM!
Information will be held confidential.

WARRANTY REGISTRATION

IMPORTANT: We urge you to fill out your warranty registration card within fourteen (14) days of date of purchase. You can also register your warranty on the internet at www.ghpgroupinc.com. Complete the entire serial number. Retain this portion of the card for your records.



GHP Group, Inc.
6440 W Howard St
Niles, IL 60714-3302

Tel: (877) 447-4768
www.ghpgroupinc.com

SAVE THIS CARD!

Place
Postage
Stamp
Here

GHP Group, Inc.
6440 W Howard St
Niles, IL 60714-3302