



SAVE THESE INSTRUCTIONS  
CONSERVER CES INSTRUCTION

## 2 and 3 Stage Point of Use Filtration System

Système de filtration  
de point d'utilisation  
avec 2 et 3 étages



### VHF-2BB2 & VHF-3BB2

## Installation, Use & Care Guide Guide d'installation, utilisation et d'entretien

CONSUMER: Retain this manual for future reference.

Questions, problems, missing parts? Before returning to your retailer, call our customer service department at:  
1 (877)-447-4768. 8:30am-4:30pm CST, Mon - Fri or email us at [customerservice@ghpgroupinc.com](mailto:customerservice@ghpgroupinc.com)  
[www.ghpgroupinc.com](http://www.ghpgroupinc.com)

CONSOMMATEUR : Conservez ce mode d'emploi pour référence ultérieure.

Questions, problèmes, pièces manquantes? Avant de retourner le produit à votre détaillant, contactez notre service à la clientèle au : 1 (877) 447-4768 de 8 h 30 à 16 h 30 HNC du lundi au vendredi, ou envoyez-nous un courriel à [customerservice@ghpgroupinc.com](mailto:customerservice@ghpgroupinc.com) [www.ghpgroupinc.com](http://www.ghpgroupinc.com)



GHP Group Inc.

USA: 6440 W. Howard Street, Niles, Illinois 60714

Canada: 271 Massey Road, Guelph, Ontario, N1K 1B2

YY.MAN.301

170615



# VITAPUR VHF-2BB2 & VHF-3BB2

<b>1. SAFETY INSTRUCTIONS</b> .....	<b>1</b>
<b>2. PRODUCT OVERVIEW</b> .....	<b>2</b>
<b>2.1 ABOUT YOUR SYSTEM</b> .....	<b>3</b>
<b>3. PLANNING</b> .....	<b>3</b>
<b>4. INSTALLATION</b> .....	<b>4</b>
<b>4.1 INSTALLATION STEPS</b> .....	<b>4</b>
<b>5. REPLACEMENT OF FILTER CARTRIDGES</b> .....	<b>4</b>
<b>5.1 PROCEDURE FOR REPLACING FILTER CARTRIDGE</b> .....	<b>4</b>
<b>6. SEASONAL USE MAINTENANCE REQUIREMENTS</b> .....	<b>5</b>
<b>7. TROUBLESHOOTING</b> .....	<b>5</b>
<b>8. WARRANTY</b> .....	<b>6</b>

Vitapur® Filtration Systems are precision built, high quality products. These units will deliver filtered water for many years to come, when installed and operated properly. Please study this manual carefully and understand the notes for use and care. This manual should be kept for future reference. If you have any questions regarding your water filter, additional assistance can be found at [www.ghpgroupinc.com](http://www.ghpgroupinc.com)

---

## 1. Safety Instructions

---

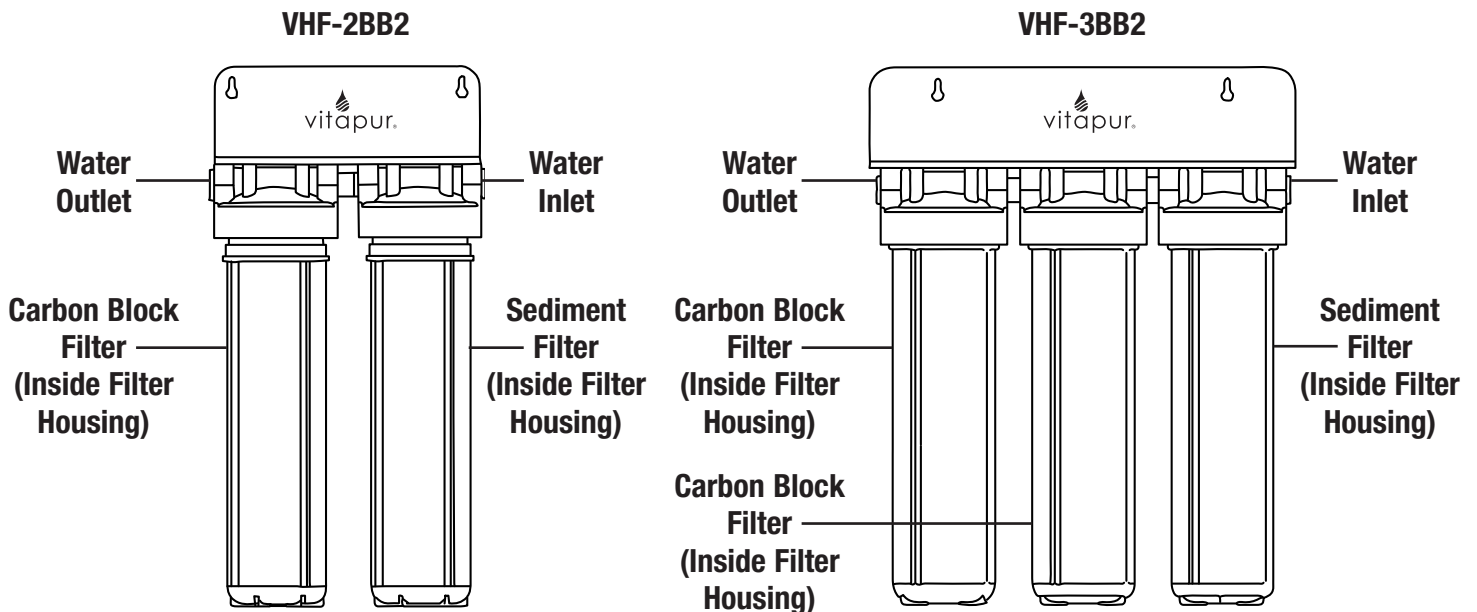
The installation of this system must be in accordance with all provincial/state and/or local laws and regulations regarding plumbing and electrical services. Installation by a certified plumber is recommended. Always comply with the following warnings and safety instructions, to prevent bodily harm, injury or property damage.

- Do not attempt to install, operate, clean or perform routine maintenance on your filtration system unless you have first read and understand all of the warnings and safety instructions that are contained in this manual.
- Do not attempt to operate the system if it has been visibly damaged. (e.g. due to shipping or if it may have sustained damage, e.g. if the unit has been dropped.
- To prevent damage to the unit always install the system indoors where it will not be exposed to the elements.
- Always install and operate the unit in an environment where both the air and water temperatures will normally range between 41°F (5°C) and 100°F (37.7°C).
- Always stop the inlet flow to the unit before performing any maintenance on the unit.
- Always drain all water from the unit, cap the inlet and outlet ports and drain and disconnect all plumbing lines, if temperatures should fall below freezing (32°F / 0°C).

**WARNING: Do not use with water that is microbiologically unsafe or with water of unknown quality without adequate disinfection before or after the system.**

## 2. Product Overview

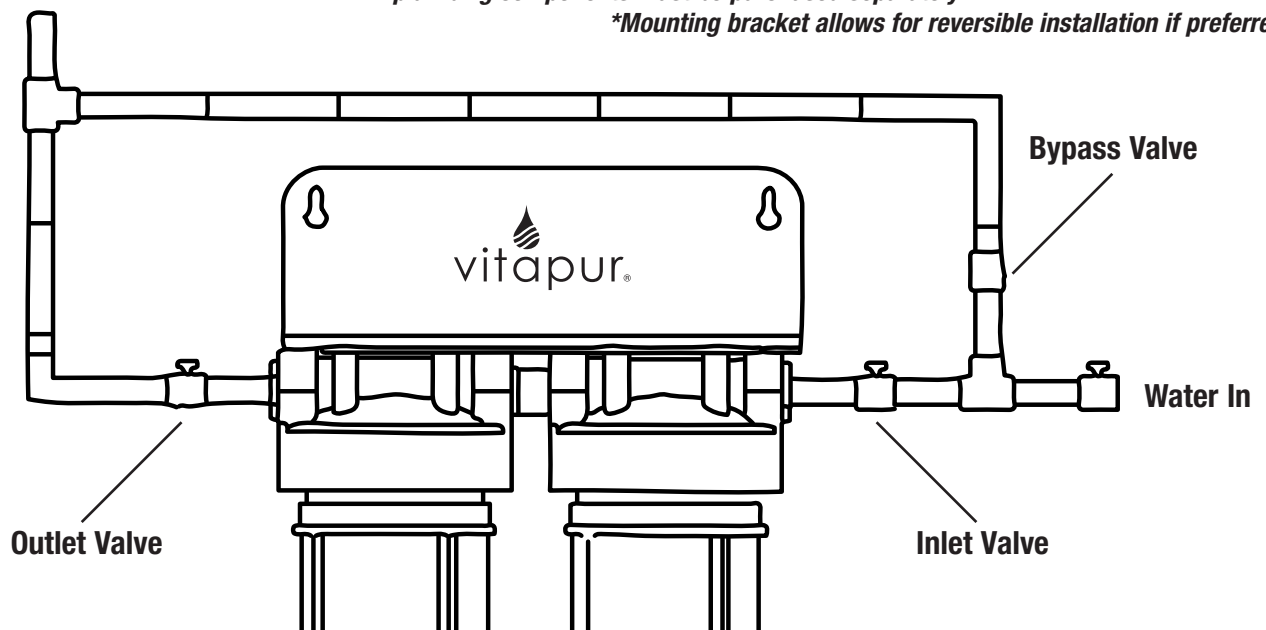
The vitapur® Whole Home Water Filtration System has been engineered to rigid standards, and has been quality inspected at the factory prior to packaging. Please review this manual in its entirety for a detailed system explanation, and ensure that the following components accompany this system:



### Bypass Line Setup Diagram

*Please note that the filter system is not equipped with a bypass valve system when purchased. The addition of a bypass valve system is at the discretion of the user. All plumbing components must be purchased separately.*

*\*Mounting bracket allows for reversible installation if preferred.*



To ensure maximum system performance all replacement components should be purchased directly from an authorized dealer or directly from GHP Group Inc. The use of components purchased from other sources will void the warranty and will potentially cause the system to function in a lesser capacity than intended.

Filter cartridges should be replaced every six months, or when the pressure drop through the cartridges inhibit water flow in the home to the point where pressure losses are being experienced.

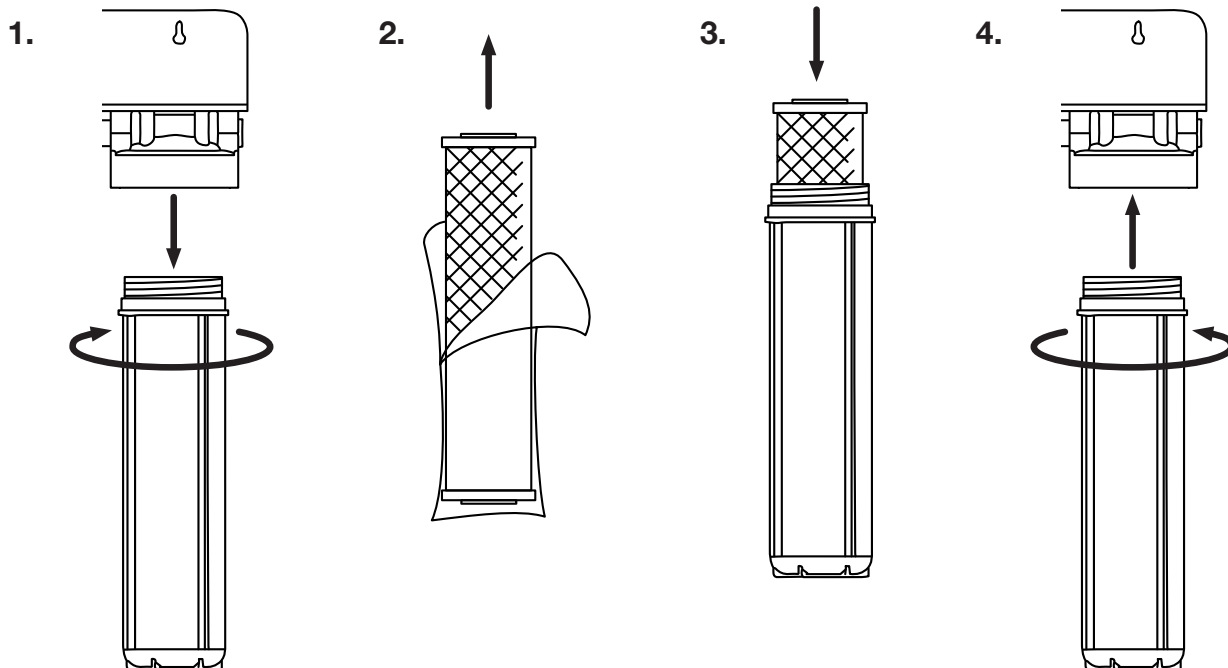
If you will be using an untreated surface water or groundwater source (rather than a municipal supply source) that has been deemed unacceptable for human consumption by the province/state or local health agency having jurisdiction, additional pre-treatment of the water prior to the filter is required.

## 2.1 About Your System

Specifications	VHF-2BB2	VHF-3BB2
Unit Dimensions (L x W x H)	16" x 30" x 8.5" 40.6cm x 76.2cm x 21.6cm	23.5" x 30" x 8.5" 59.7cm x 76.2cm x 21.6cm
Operating Pressure Range	30 - 100 PSI	
Feed Water Temperature Range	40 – 99 °F (4 – 37 °C)	
Ambient Temperature Range	36 – 104 °F (2 – 40 °C)	
Inlet Port Size	3/4" Female NPT	
Outlet Port Size	3/4" Female NPT	

## 3. Planning

- Unit ships with the sediment & carbon filters inside the filter housing – Filters are wrapped in a protective plastic that needs to be removed before installation.
- Remove plastic and reinstall filters and - **ensure that the o-ring is still in place before reinstalling filter housings** - tighten filter housing bottoms back onto filter heads with provided wrench.
- Keep at least **12" (30.5cm)** of free space underneath both filters housing to allow removal of housing bottom.
- Mount unit in a location that will allow easy access to change filters when required.



**Remove both filters from sumps,  
and remove plastic from filters.**

## 4. Installation

---

**NOTE: The system should be hooked up with shut off valves at both the inlet and outlet - a system bypass would also be preferred for maintenance related issues.**

Use provided hardware to mount rack onto wall – keep plumbing in mind and how it will route into the system. Hook up water lines to the inlet on the right side of the first filter (sediment) and outlet on the left side of second filter (carbon).

### 4.1 Installation Steps

---

1. Shut off main water supply valve. Depressurize water lines by opening a faucet.
2. Mount the filter rack to the wall. Please note that due to the weight of the filter rack, it is essential that the unit is mounted directly to a concrete wall. (Screws and washers not provided) or directly into framing studs. (Screws and washers provided). Do not mount the unit directly on only dry wall.
3. Hook up inlet water connections and the outlet water connection. For ease of installation it is recommended using couplings on both the inlet and outlet lines.
4. The filters are wrapped and the wrapping around the filter(s) has to be removed. Mount the filter(s) and housing(s) onto the bracket.
5. Confirm that all of the plumbing connections are secured. Partially open the main supply valve while releasing air from the system by opening a downstream faucet. After air is purged from lines, close downstream faucet to pressurize water lines.
6. If no leaks are visible at low flow, then fully open the main supply valve. Check for leaks.
7. Flush the system for a minimum of 5 minutes prior to use by opening a downstream faucet.
8. Your filtration system is now ready for use.

## 5. Replacement of Filter Cartridges

---

Filter cartridge life varies depending on usage and/or water conditions. Changes in taste, colour and flow of the water being filtered indicate that the cartridge should be replaced. It is recommended that the filter cartridges be replaced at least every 6 months. Replace sooner if water pressure at faucet begins to drop noticeably or cartridge fails to perform satisfactorily.

Replacement Parts	
Description	Part Number
20" x 4.5" Polypropylene Sediment Filter - 5 micron	VS20RF-PP
20" x 4.5" Carbon Block Filter - 5 micron	VS20RF-CTO

### 5.1 Installation Steps

---

1. Turn off the water supply at both ends of the system.
2. Depress the red pressure relief buttons on all filter housings. (A small amount of water may come out of the release valve when the pressure is released, this is normal).
3. Place a pail under the filter housing to catch any water during filter removal.
4. Use the filter housing wrench, loosen the filter housing.
5. When the filter housing is turning freely, hold onto it with both hands while backing the housing off the threads. The housing, filled with water and a wet filter is heavy. Be cautious and ensure that you are adequately positioned to support the weight.
6. Remove the old filter and dispose in the trash. Used filters are not considered hazardous waste.
7. Empty the housing of water, clean filter housing if stained and insert the new filter cartridge. Make sure the O-ring on the filter housing has not fallen off the housing when dumping the excess water or removing the old filter.
8. Remove packaging from new filter and place filter into the housing. The sediment filter goes into the housing closest to the inlet water.
9. Attach the filter housings onto the system.
10. Tighten the filter housing back into position lightly with your hands. Use the wrench to ensure a good seal, although caution should be taken to ensure the housing is not over tightened.
11. Slowly refill the system by opening the inlet water line just enough to fill the housings with water. Purge air from the system.
12. Check the systems for leaks.
13. If no leaks are evident, open the inlet line completely and re-check for leaks.
14. Flush the system for a minimum of 5 minutes prior to use.

## 6. Seasonal Use Maintenance Requirements

---

If your system is only being used seasonally, it must be stored properly for the winter. Shut off the inlet and outlet water valves and drain all water from the system. Cap both the inlet port and the outlet port, to prevent entry of insects and small animals.

Remove the filters from the system and discard them in the trash.

Before placing the system back in service, it is recommended that the household plumbing procedures described in section 5 be followed.

Install new filters in the system. **Do not re-install filters used during the previous season.**

## 7. Troubleshooting Guide

---

Problem	Possible Cause	Suggested Solution
Pressure Drop (More than 40 psi loss at 8GPM).	Filter(s) clogged.	Replace filter cartridge.
Leaking water from housing.	Housing not sealed properly.	Depressurize, lubricate threads and retighten.
	Excessive water pressure (beyond 80 psi).	Install pressure regulator ahead of system.
	Water Hammer causing pressure spikes.	Install a Water Hammer* Arrestor in system.
Water is milky.	Small air bubbles are trapped in water.	Leave tap on for short time.
	Air purging from new filters / system.	Find source of air bubbles and correct (flush more).
System is Vibrating.	Not mounted securely.	Secure fasteners.
	Water Hammer* causing vibrations.	Install a Water Hammer* Arrestor in system.
Outlet water has bad taste.	Filters not installed.	Ensure filters are in position.
	Filter(s) / Housing(s) not seated properly.	Ensure filters are correctly seated in the housing, and the housings are seating properly.
	Testing / source identification / additional pre-treatment may be required.	Testing should be conducted to determine cause of bad taste. Additional pre-treatment may be required.

\* **Water Hammer:** Sudden closure of a control valve or stopping of a pump produces excess pressure in a pipeline. The hydraulic engineer, water supply designer and pumping system operator have the responsibility to ensure the surges due to Water Hammer are within acceptable limits and can be dampened as quickly as possible.

**Note:** If you experience trouble with your system other than the symptoms described above, please visit [www.ghpgroupinc.com](http://www.ghpgroupinc.com), or contact the Customer Service Department at **1-866-253-0447**.

# 8. Warranty

### Limited Warranty:

This limited warranty is extended to the original retail purchaser of this filtration system and warrants against any defect in material and workmanship for a period of one (1) year from the date of retail sale. GHP Group, Inc., at its option, will either provide replacement parts or replace the unit, when properly returned to the retailer where purchased or one of our service centers as directed by GHP Group, Inc., within one (1) year of retail purchase. (Shipping costs, labour costs, etc. are the responsibility of the purchaser.)

### Duties of the Owner:

This filtration system must be installed and operated in accordance with the written instructions furnished with this system. This warranty shall not excuse the owner from properly maintaining this unit in accordance with the instructions. A bill of sale, canceled check or payment record must be kept to verify purchase date and establish warranty period. Original carton should be kept in case of warranty return of the unit.

### What is Not Covered?

1. Damage caused by misuse, installation or use contrary to the owner's manual and safety guidelines.
2. Use of this product where water is microbiologically unsafe or of unknown quality.
3. Damage of caused by a lack of normal maintenance and cleaning.
4. Use of non-OEM parts or accessories.
5. Damage caused in transit. Freight charges on warranty parts or products to and from the factory shall be the responsibility of the owner.

**THIS LIMITED WARRANTY IS GIVEN TO THE PURCHASER IN LIEU OF ALL OTHER WARRANTIES, EXPRESSED OR IMPLIED, INCLUDING BUT NOT LIMITED TO THE WARRANTIES OF MERCHANTABILITY OF FITNESS FOR A PARTICULAR PURPOSE. THE REMEDY PROVIDED IN THIS WARRANTY IS EXCLUSIVE AND IS GRANTED IN LIEU OF ALL OTHER REMEDIES. IN NO EVENT WILL GHP GROUP, INC. BE LIABLE FOR INCIDENTAL OR CONSEQUENTIAL DAMAGES.**

Some states/provinces do not allow limitations or how long an implied warranty lasts, so the above limitation may not apply to you. Some states/provinces do not allow the exclusion or limitation of incidental or consequential damages so the above limitation or exclusion may not apply to you.

### Claims Handles as Follows:

1. Contact your retailer and explain the problem
2. If the retailer is unable to resolve the problem, contact our Customer Service Dept. detailing the system model, the problem, and proof of date of purchase.
3. A representative will contact you. DO NOT RETURN THE UNIT TO GHP GROUP, INC. unless instructed by our Representative, or written authorization.

This warranty gives you specific legal rights and you may also have other rights that vary from state/province to state/province.

TO REGISTER THIS WARRANTY PLEASE FILL OUT THIS CARD COMPLETELY AND MAIL WITHIN FOURTEEN (14) DAYS FROM THE DATE OF PURCHASE OR REGISTER ON-LINE AT [www.ghpgroupinc.com](http://www.ghpgroupinc.com)

NAME: \_\_\_\_\_ PHONE: ( ) \_\_\_\_\_ EMAIL: \_\_\_\_\_  
ADDRESS: \_\_\_\_\_ CITY: \_\_\_\_\_ STATE/PROV: \_\_\_\_\_ ZIP: \_\_\_\_\_  
MODEL: \_\_\_\_\_ SERIAL #: \_\_\_\_\_ DATE PURCHASED: \_\_\_\_\_  
DEALER PURCHASED FROM: \_\_\_\_\_ TYPE OF STORE: \_\_\_\_\_  
CITY & STATE WHERE PURCHASED: \_\_\_\_\_ PRICE PAID: \_\_\_\_\_

**Please Take a Minute To Give Us Your Answers To The Following Questions.  
All Responses Are Used Solely For Market Research And Are Held In Strict Confidence.**

Who primarily decided this purchase?  Male  Female  18-24  25-39  40-59  60 and over  
Purpose of Purchase? \_\_\_\_\_  
Do you own any other filtration systems?  Yes  No If yes, type \_\_\_\_\_ brand \_\_\_\_\_  
How do you intend to use your new system?  Replace existing  New location  Other  
How did you become aware of this system?  In-Store Display  Newspaper Ad  Magazine Ad  Friend/Relative  
 TV Commercial  Store Salesperson  Other \_\_\_\_\_  
What made you select this system?  Style  Reduction claims  Price  Package  Brand  Other \_\_\_\_\_  
Would you recommend this system to a friend?  Yes  No  
Please give us your comments: \_\_\_\_\_

THANK YOU FOR COMPLETING THIS FORM!  
Information will be held confidential.



# VITAPUR VHF-2BB2 & VHF-3BB2

<b>1. CONSIGNES DE SÉCURITÉ</b> .....	<b>7</b>
<b>2. APERÇU DU PRODUIT</b> .....	<b>8</b>
<b>2.1 À PROPOS DE NOTRE SYSTÈME</b> .....	<b>9</b>
<b>3. PLANIFICATION</b> .....	<b>9</b>
<b>4. INSTALLATION</b> .....	<b>10</b>
<b>4.1 DIRECTIVES D'INSTALLATION</b> .....	<b>10</b>
<b>5. REMPLACEMENT DES CARTOUCHES FILTRANTES</b> .....	<b>10</b>
<b>5.1 DIRECTIVES DE REMPLACEMENT DES CARTOUCHES</b> .....	<b>10</b>
<b>6. DIRECTIVES D'ENTRETIEN POUR UNE UTILISATION SAISONNIÈRE</b> .....	<b>11</b>
<b>7. GUIDE DE DÉPANNAGE</b> .....	<b>11</b>
<b>8. GARANTIE</b> .....	<b>12</b>

Les systèmes de filtration Vitapur® sont des produits de haute qualité, fabriqués avec précision. Ces appareils produisent une eau filtrée pendant de nombreuses années s'ils sont correctement installés et utilisés. Veuillez étudier attentivement ce mode d'emploi ainsi que les notes d'utilisation et d'entretien. Conservez ce mode d'emploi pour un usage ultérieur. Si vous avez des questions concernant votre filtre à eau, vous trouverez plus d'informations sur [www.ghpgroupinc.com](http://www.ghpgroupinc.com)

## 1. CONSIGNES DE SÉCURITÉ

Ce système doit être installé conformément à l'ensemble des lois et des règlements qui régissent les travaux de plomberie et les services électriques dans votre province, votre région ou votre État. Nous vous recommandons de retenir les services d'un plombier agréé pour installer cet appareil. Respectez en tout temps les consignes de sécurité et les avertissements mentionnés qui suivent pour éviter de vous blesser ou d'endommager vos biens.

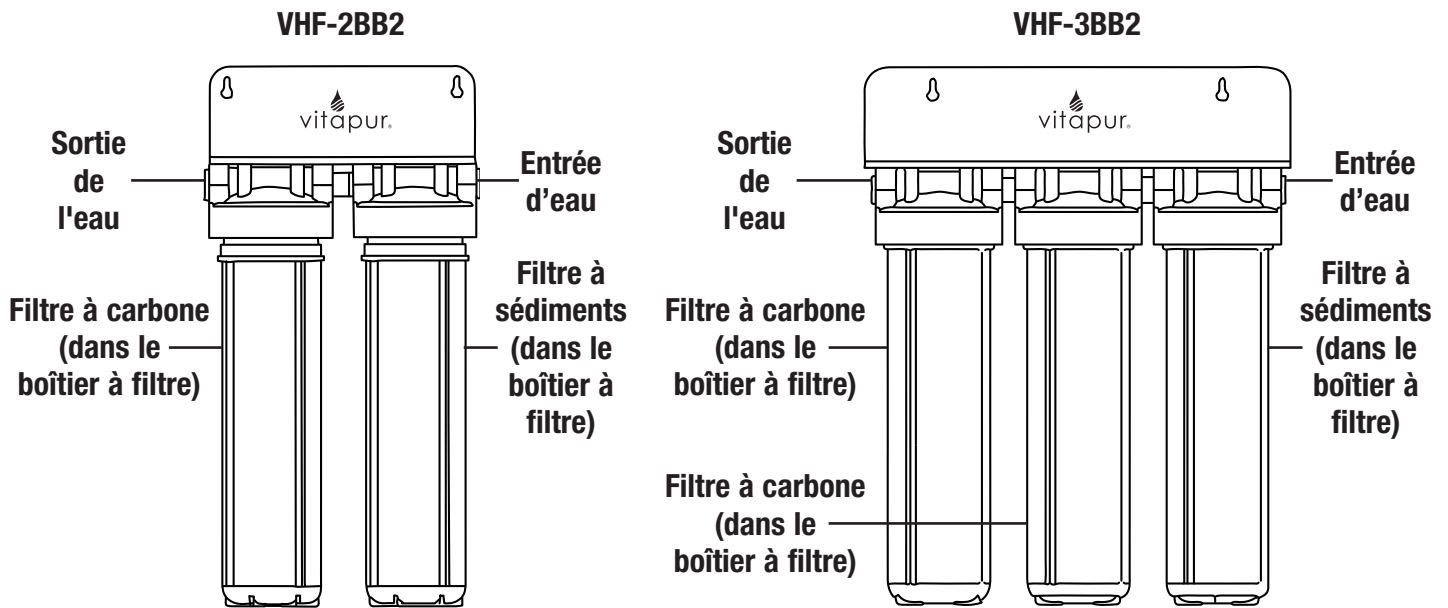
- Ne tentez pas d'installer, de faire marcher, de nettoyer ou d'effectuer l'entretien de votre système de filtration sans avoir d'abord lu et compris tous les avertissements et consignes de sécurité contenus dans ce mode d'emploi.
- Ne tentez pas de faire marcher le système s'il a l'air endommagé (p.ex. à cause de la livraison ou s'il semble avoir subi des dégâts, p.ex. si l'appareil est tombé).
- Pour éviter des dégâts à l'appareil, installez-le toujours en intérieur où il ne sera pas exposé aux éléments.
- Installez et utilisez toujours l'appareil dans un environnement où la température de l'air et celle de l'eau varient normalement entre 41°F (5°C) et 100°F (37,7°C).
- Fermez toujours l'alimentation en eau avant d'effectuer l'entretien de l'appareil.
- N'oubliez pas de toujours vider l'appareil de son eau, de boucher les orifices d'entrée et de sortie d'eau et de vider et de débrancher tous les tuyaux de plomberie lorsque la température descend sous le point de congélation (0°C ou 32°F).

**AVERTISSEMENT: N'utilisez pas d'eau dont le contenu en micro-organismes pourrait la rendre impropre à la consommation ou de l'eau dont vous ne connaissez pas la qualité sans avoir désinfecté le système avant ou après.**



## 2. Aperçu du produit

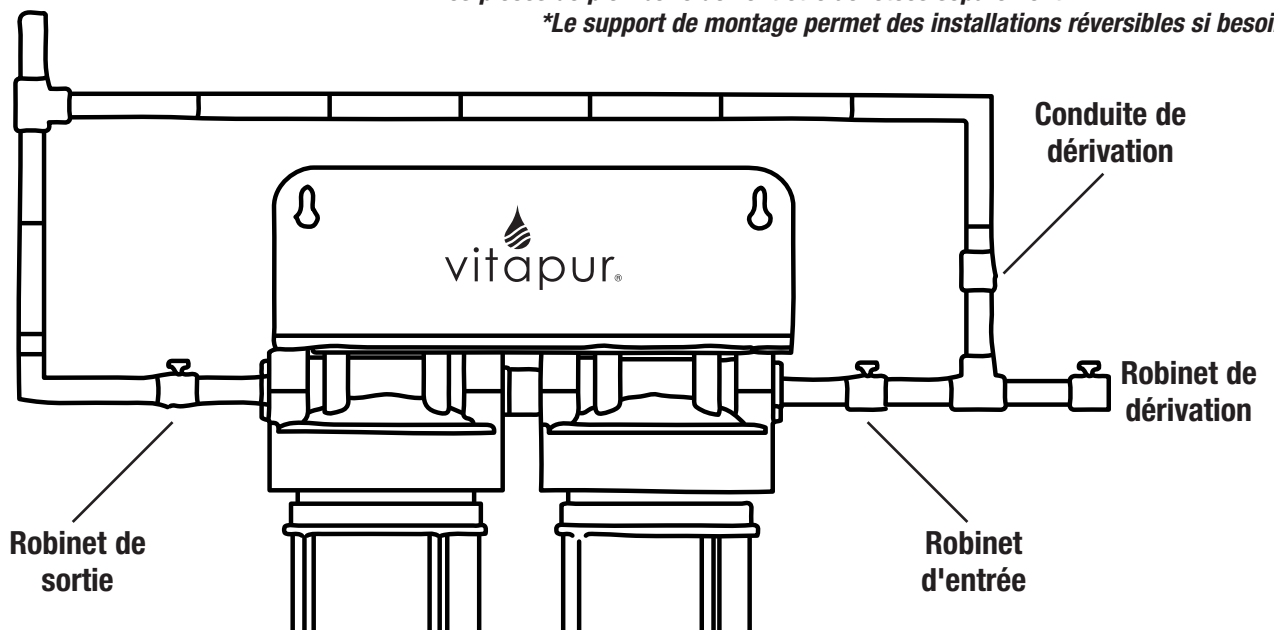
Le système vitapur® de filtration de l'eau pour la maison entière a été conçu selon des normes rigoureuses et a subi un contrôle de qualité avant d'être emballé. Veuillez lire ce guide en entier pour obtenir des explications détaillées sur le système. Assurez-vous également que les pièces suivantes accompagnent bien votre appareil :



### Diagramme d'installation des conduites de dérivation

*Veuillez noter qu'au moment de l'achat, le système n'est pas doté d'un système de dérivation. L'ajout d'un tel système est à la discrétion de l'utilisateur. Toutes les pièces de plomberie doivent être achetées séparément.*

*\*Le support de montage permet des installations réversibles si besoin.*



Pour garantir une meilleure performance du système, achetez directement toutes les pièces de remplacement chez un concessionnaire agréé ou directement chez GHP Group Inc. L'utilisation de pièces achetées chez d'autres fournisseurs entraîne l'annulation de la garantie et la possible baisse de performance du système.

Remplacez les cartouches filtrantes tous les six mois ou lorsque la baisse de pression dans les cartouches fait ralentir le débit d'eau de la maison au point où la baisse de pression se ressent.

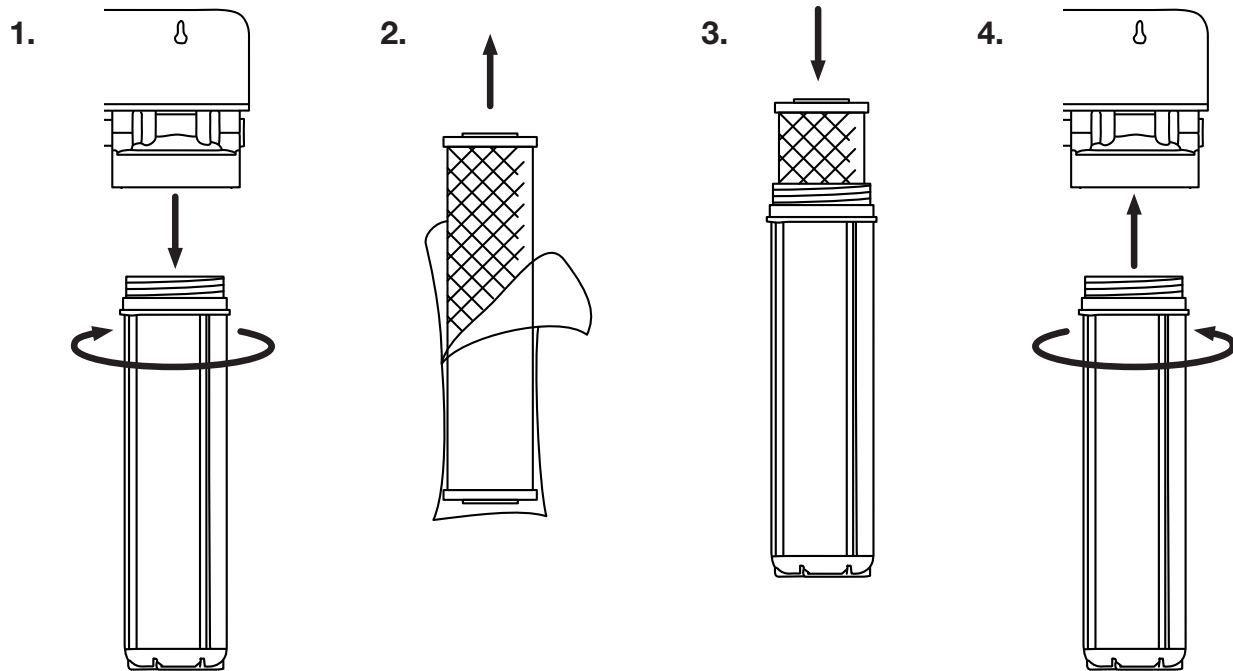
Si vous envisagez d'utiliser l'eau de surface ou l'eau souterraine (plutôt que l'eau provenant du réseau municipal) jugée non potable par la province, l'état ou l'agence de santé régionale compétente, il vous faudra effectuer un prétraitement de l'eau avant son arrivée dans le filtre.

## 2.1 À propos de notre système

Spécifications	VHF-2BB2	VHF-3BB2
Dimensions de l'appareil (L x L x H)	16" x 30" x 8.5" 40.6cm x 76.2cm x 21.6cm	23.5" x 30" x 8.5" 59.7cm x 76.2cm x 21.6cm
Pression d'utilisation	30 - 100 PSI	
Température de l'eau d'alimentation	40 - 99 °F (4 - 37 °C)	
Température ambiante	36 - 104 °F (2 - 40 °C)	
Taille de l'orifice d'entrée	3/4" femelle NPT	
Taille de l'orifice de sortie	3/4" femelle NPT	

## 3. Planification

- L'appareil est livré avec les filtres à sédiments et à charbon à l'intérieur du magasin à filtre. Les filtres sont livrés dans une enveloppe protectrice qui doit être retirée avant l'installation.
- Enlevez le plastique, réinstallez les filtres et **assurez-vous que le joint torique est bien fixé avant de réinstaller les magasins à filtre.** Fixez le fond du magasin à filtre sur les têtes de filtre avec la clé fournie.
- Gardez au moins **12 po (30,5 cm)** d'espace libre sous les deux magasins à filtre pour pouvoir retirer le fond du magasin.
- Montez l'appareil dans un lieu d'accès facile pour y changer les filtres, si nécessaire.



**Retirez les deux filtres des sommiers et enlevez le plastique.**

## 4. Installation

---

**REMARQUE : Le système devrait être branché avec des vannes d'arrêt à l'entrée et la sortie. Une dérivation du système serait aussi préférable pour l'entretien.**

Utilisez le matériel fourni pour monter le support au mur. Gardez la plomberie à l'esprit et son trajet vers le système. Branchez les conduites d'eau à l'entrée sur le côté droit du premier filtre (à sédiments) et à la sortie sur le côté gauche du second filtre (à charbon).

### 4.1 Directives d'installation

---

1. Fermez la vanne d'arrivée d'eau principale. Dépressurisez les conduites d'eau en ouvrant un robinet.
2. Montez le support de filtre au mur. Veuillez noter qu'en raison du poids du support de filtre, il est essentiel que l'appareil soit monté directement sur un mur en béton (vis et rondelles non fournies) ou directement sur les poteaux d'ossature murale (vis et rondelles fournies). N'installez pas l'appareil directement sur une cloison sèche.
3. Branchez les raccords d'arrivée et de sortie d'eau. Pour faciliter l'installation, il est recommandé d'utiliser des manchons sur les conduites d'entrée et de sortie d'eau.
4. Les filtres sont enveloppés et l'enveloppe des filtres doit être enlevée. Montez les filtres et magasins sur le support.
5. Vérifiez que tous les raccords de plomberie sont bien serrés. Ouvrez légèrement la vanne principale tout en libérant l'air du système en ouvrant un robinet en aval. Après l'évacuation de l'air des conduites, fermez le robinet en aval pour pressuriser les conduites d'eau.
6. Si aucune fuite n'est visible à faible débit, ouvrez complètement la vanne principale d'arrivée d'eau. Vérifiez l'étanchéité du système.
7. Videz le système pendant au moins 5 minutes avant de le faire marcher en ouvrant un robinet en aval.
8. Votre système de filtration est désormais prêt à l'emploi.

## 5. REMPLACEMENT DES CARTOUCHES FILTRANTES

---

La durée de vie d'une cartouche filtrante dépend de son usage et de la qualité de l'eau. Un changement du goût, de la couleur et du débit de l'eau en cours de filtration indique que la cartouche doit être remplacée. Il est recommandé de changer la cartouche filtrante tous les 6 mois. Remplacez-la plus tôt si la pression du robinet commence à baisser de façon remarquable ou si le rendement de la cartouche n'est pas satisfaisant.

Pièces de remplacement	
Description	No de pièces
Filtre à sédiments en polypropylène 20 "x 4.5" - 5 microns	VS20RF-PP
Filtre à blocs de carbone 20 "x 4.5" - 5 microns	VS20RF-CTO

### 5.1 Directives de remplacement des cartouches

---

1. Fermez l'alimentation en eau aux deux extrémités du système.
2. Appuyez sur le bouton rouge de surpression des deux boîtiers de filtres (il est possible qu'une petite quantité d'eau sorte de la soupape de surpression, ce qui est tout à fait normal).
3. À l'aide de la clé du boîtier de filtre, dégagez chaque boîtier.
4. Une fois que les deux boîtiers sont dégagés, tenez-en un fermement à deux mains afin de l'éloigner des fils. Le boîtier rempli d'eau et du filtre mouillé est pesant, il faut donc être prudent et s'assurer d'être dans une position adéquate pour bien supporter le poids.
5. Retirez le vieux filtre et jetez-le aux rebuts. Les filtres usés ne sont pas considérés comme des déchets dangereux.
6. Videz le boîtier de son eau et insérez la nouvelle cartouche filtrante. Assurez-vous que l'anneau sur le boîtier du filtre est toujours en place après que vous avez enlevé le surplus d'eau ou retiré le vieux filtre.
7. Remettez le boîtier sur le système
8. en le fixant délicatement en place avec vos mains (vous ne devriez pas avoir besoin d'utiliser la clé). Si vous préférez, utilisez la clé, mais prenez bien soin de ne pas trop resserrer le boîtier.
9. Remplissez la chambre UV en ouvrant à peine le conduit d'arrivée d'eau.
10. Vérifiez s'il y a des fuites.
11. S'il n'y a aucune fuite, ouvrez complètement le conduit d'arrivée d'eau et vérifiez de nouveau s'il y a des fuites.
12. Ouvrez la conduite d'alimentation en eau du système.
13. Rincez le système pendant au moins 5 minutes avant de l'utiliser.

## 6. Directives d'entretien pour une utilisation saisonnière

---

---

Si vous n'utilisez votre système que de façon saisonnière, vous devez le ranger adéquatement pour l'hiver. Videz-le complètement de son eau et débranchez-le de la source d'énergie. Bouchez les orifices d'entrée et de sortie pour empêcher les insectes et les petits animaux d'y pénétrer. Retirez les filtres et jetez-les aux rebus. Avant de remettre le système en marche, il est recommandé de suivre les étapes relatives à la plomberie domestique décrites à la section 5 et de désinfecter et rincer à fond tous les tuyaux de plomberie. Installez les nouveaux filtres dans le système (voir section 5).

**Ne remettez pas les filtres qui ont été utilisés au cours de la saison précédente.**

## 7. Guide de dépannage

---

---

Problème	Cause possible	Solution
Chute de pression (perte de plus de 40 lb/po2 à 8 GPM)	Filtres bloqués.	Remplacer la cartouche filtrante.
Fuites d'eau	Le boîtier du filtre n'est pas correctement scellé.	Dépressuriser, lubrifier les filets et resserrer.
	La pression est trop élevée (plus de 80 lb/po2)	Installer un régulateur de pression en avant du système.
	Un coup de bélier cause des variations brusques de pression.	Installer un dispositif antibélier*.
Eau laiteuse.	L'eau renferme de petites bulles d'air.	Faire couler l'eau du robinet pendant quelques instants.
	De l'air sort des nouveaux filtres ou du système.	Trouver la source des bulles d'air et y remédier.
Système qui vibre.	Il n'est pas monté solidement.	Resserrer les attaches.
	Le dispositif antibélier* produit des vibrations.	Installer un dispositif antibélier*.
Eau de la sortie qui goûte mauvais.	Les filtres n'ont pas été installés.	Il faudra peut-être procéder à un test, une identification de la source ou à un autre traitement préalable.
	Les boîtiers de filtre ne sont pas bien fixés.	S'assurer que les filtres sont bien déposés dans le boîtier et que les boîtiers sont bien fixés.
	Il faudra peut-être procéder à un test, une identification de la source ou à un autre traitement préalable.	Effectuer un test pour déterminer la cause du mauvais goût. Effectuer un traitement préalable supplémentaire au besoin.

\* **Coup de bélier** : Fermeture soudaine de la soupape de contrôle ou arrêt de fonctionnement de la pompe qui produit une surpression dans la canalisation. L'ingénieur en hydraulique, le concepteur de la conduite d'alimentation en eau et l'opérateur du système de pompage ont la responsabilité de veiller à ce que les variations brusques causées par le dispositif antibélier se situent dans les limites acceptables et qu'elles peuvent être amorties le plus rapidement possible.

**Remarque:** Si vous avez des problèmes avec votre système autres que ceux qui sont décrits plus haut, allez au [www.ghpgroupinc.com](http://www.ghpgroupinc.com), ou joignez le service à la clientèle au **1-866-253-0447**.

## 8. Garantie

### Garantie limitée :

La présente garantie limitée est fournie à l'acheteur au détail original de ce système de filtration et couvre tout défaut de matériaux et de fabrication durant une période d'un (1) an à partir de la date de vente au détail. GHP Group, Inc., à sa discrétion, fournira des pièces de remplacement ou remplacera le produit, s'il est correctement retourné au détaillant où il a été acheté ou à l'un de nos centres de service comme indiqué par GHP Group, Inc., dans l'année suivant l'achat au détail. (Les frais de livraison, de main-d'œuvre, etc. sont de la responsabilité de l'acheteur.)

### Responsabilités du propriétaire :

Ce système de filtration doit être installé et utilisé conformément aux instructions écrites fournies avec ce système. La présente garantie ne couvre pas les dégâts causés par le manque d'entretien du propriétaire conformément aux instructions. Un acte de vente, un chèque annulé ou une preuve de paiement doit être conservé pour vérifier la date d'achat et établir la période de garantie. La boîte originale devrait être conservée en cas de retour de produit couvert par la garantie.

### Qu'est-ce qui n'est pas couvert?

1. Les dommages causés par une utilisation ou une installation contraire aux directives du mode d'emploi de l'utilisateur et aux directives de sécurité.
2. L'utilisation de ce produit à un endroit où l'eau est microbiologiquement insalubre ou de qualité inconnue.
3. Les dommages causés par un manque d'entretien et de nettoyage normaux.
4. L'utilisation de pièces ou d'accessoires autres que ceux du fabricant d'origine.
5. Les dommages causés durant le transport. Les frais d'envoi à l'usine des pièces ou produits couverts par la garantie sont de la responsabilité du propriétaire.

LA PRÉSENTE GARANTIE LIMITÉE EST OFFERTE À L'ACHETEUR ET REMPLACE TOUTE AUTRE GARANTIE, EXPRESSE OU IMPLICITE, INCLUANT SANS S'Y LIMITER LES GARANTIES DE VALEUR MARCHANDE OU D'ADÉQUATION À UN USAGE PARTICULIER. LE RECOURS OFFERT DANS LA PRÉSENTE GARANTIE EST EXCLUSIF ET REMPLACE TOUT AUTRE RECOURS. GHP GROUP, INC. NE SERA EN AUCUN CAS RESPONSABLE DE DOMMAGES INDIRECTS OU ACCESSOIRES.

Certains états et certaines provinces ne permettent pas les restrictions de la durée d'une garantie implicite, alors la restriction ci-dessus pourrait ne pas s'appliquer pour vous. Certains états et certaines provinces ne permettent pas l'exclusion ou la restriction des dommages indirects ou accessoires, alors la restriction ou l'exclusion ci-dessus pourrait ne pas s'appliquer à vous.

### Les réclamations sont traitées comme suit :

1. Communiquez avec votre détaillant et expliquez le problème.
2. Si le détaillant ne peut résoudre le problème, communiquez avec notre service à la clientèle en indiquant le modèle du système, le problème et la preuve de la date d'achat.
3. Un représentant communiquera avec vous. NE RETOURNEZ PAS LE PRODUIT À GHP GROUP, INC. sauf sur avis de notre représentant ou avec une autorisation écrite.

La présente garantie vous donne des droits légaux spécifiques et vous pourriez aussi avoir d'autres droits qui varient selon les états et les provinces.

POUR ENREGISTRER LA PRÉSENTE GARANTIE, VEUILLEZ REMPLIR ENTIÈREMENT LA CARTE SUIVANTE ET LA POSTER DANS LES QUATORZE (14) JOURS SUIVANT LA DATE D'ACHAT OU L'ENREGISTRER EN LIGNE AU [www.ghpgroupinc.com](http://www.ghpgroupinc.com)

NOM : \_\_\_\_\_ TÉLÉPHONE : ( ) \_\_\_\_\_ COURRIEL : \_\_\_\_\_

ADRESSE : \_\_\_\_\_ VILLE : \_\_\_\_\_ ÉTAT/PROV. : \_\_\_\_\_ CODE POSTAL : \_\_\_\_\_

MODÈLE : \_\_\_\_\_ NO DE SÉRIE : \_\_\_\_\_ DATE D'ACHAT : \_\_\_\_\_

DÉTAILLANT OÙ LE PRODUIT A ÉTÉ ACHETÉ : \_\_\_\_\_ TYPE DE MAGASIN : \_\_\_\_\_

VILLE ET ÉTAT OÙ LE PRODUIT A ÉTÉ ACHETÉ : \_\_\_\_\_ PRIX PAYÉ : \_\_\_\_\_

**Veillez prendre quelques instants pour répondre aux questions suivantes.**

**Toutes les réponses sont uniquement utilisées à des fins d'étude de marché et sont strictement confidentielles.**

Qui a principalement pris cette décision d'achat?  Homme  Femme  18 à 24 ans  25 à 39 ans

40 à 59 ans  60 ans et plus

But de l'achat? \_\_\_\_\_

Possédez-vous un autre système de filtration?  Oui  Non Si oui, type \_\_\_\_\_ marque \_\_\_\_\_

Comment prévoyez-vous utiliser votre nouveau système?  Remplacer un système existant  Nouvel emplacement  Autre

Comment avez-vous entendu parler de ce système?  Présentoir en magasin  Annonce dans le journal  Annonce

dans un magazine  Ami/proche  Annonce à la télévision  Vendeur en magasin  Autre \_\_\_\_\_

Pourquoi avez-vous choisi ce système?  Style  Produit en solde  Prix  Emballage  Marque  Autre \_\_\_\_\_

Recommanderiez-vous ce système à un ami?  Oui  Non

Veillez nous indiquer vos commentaires : \_\_\_\_\_

MERCI D'AVOIR REMPLI CE FORMULAIRE! Les renseignements demeureront confidentiels.